

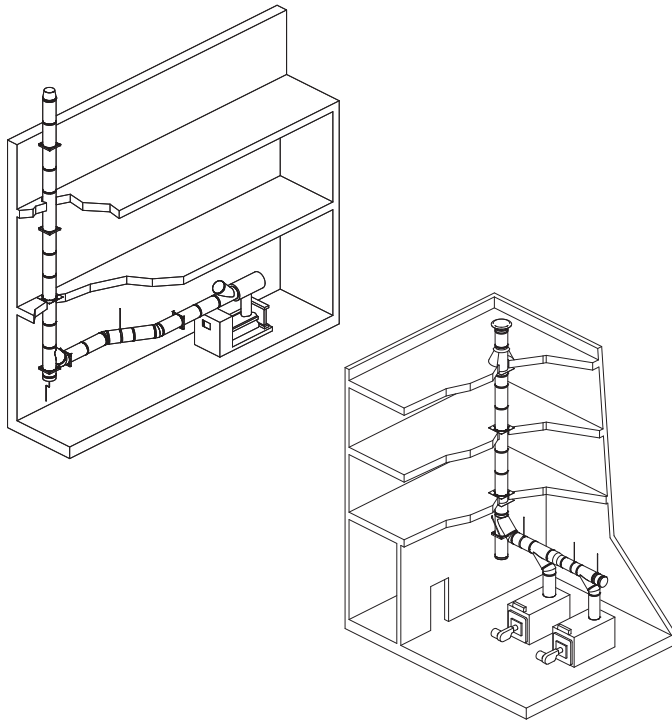


# MODEL CIX SUBMITTAL RECORD

**Boiler and Engine Exhaust Chimney Systems  
Grease Duct Systems (CIX ONLY)**

P/N 506128-06 REV. G 04/2015

## MODEL CIX



MATERIAL SELECTION	
INNER WALL	OUTER WALL
SS 304	SS 304
SS 316	SS 316
OTHER	GALVALUME
	OTHER

This installation manual will enable you to obtain a safe, efficient and dependable installation of this positive pressure chimney system. Please read and understand these instructions before beginning your installation.

Do not alter or modify the components of this chimney system under any circumstances. Any modification or alteration of the chimney system or approved accessories, including but not limited to the appliance it is connected to, may void the warranty, listings and approvals of this system and could result in an unsafe and potentially dangerous installation.

**SUITABLE FOR POSITIVE PRESSURE VENTING APPLICATIONS WITH MAXIMUM 60" WATER COLUMN INTERNAL STATIC PRESSURE AT 1000 DEGREES F.**

**SAVE THESE INSTRUCTIONS  
FOR FUTURE REFERENCE**

SUBMITTAL RECORD	
PREPARED FOR:	
REFERENCE:	
LOCATION:	
CONTACT:	
TELEPHONE:	FAX:
EMAIL:	
PREPARED BY:	

### **! WARNINGS**

**FAILURE TO FOLLOW THESE INSTALLATION INSTRUCTIONS COULD CAUSE FIRE, CARBON MONOXIDE POISONING, OR DEATH. IF YOU ARE UNSURE OF INSTALLATION REQUIREMENTS, CALL THE PHONE NUMBER LISTED ON THE BACK OF THESE INSTRUCTIONS.**

**A MAJOR CAUSE OF CHIMNEY RELATED FIRE IS FAILURE TO MAINTAIN REQUIRED CLEARANCES (AIR SPACES) TO COMBUSTIBLE MATERIALS. IT IS OF UTMOST IMPORTANCE THAT THIS CHIMNEY BE INSTALLED ONLY IN ACCORDANCE WITH THESE INSTRUCTIONS.**



Listed to standards:  
UL 103 and ULC S604  
ULC/ORD-C959 540°C and 760°C  
Report # 3162834

CIXSUBMIT REV. 7 04/2015

NOTE: DIAGRAMS & ILLUSTRATIONS ARE NOT TO SCALE.

## TABLE OF CONTENTS

<b>Introduction</b> .....	page	2
Testing / listing information.....	page	2
<b>General information</b> .....	<b>page</b>	<b>2</b>
Maintenance Notes.....	page	2
Application.....	page	2
Surrounding / enclosure.....	page	3
Boiler and engine exhaust.....	page	3
System sizing.....	page	3
Part numbers.....	page	3
Clearances.....	page	3
Chimney and fitting joint assembly.....	page	4
Support methods and height limits.....	page	5
Thermal expansion.....	page	5
Chimney weight.....	page	5
Markings - CIX labels.....	page	6
<b>Vent lengths</b> .....	<b>page</b>	<b>7</b>
CIX vent lengths.....	page	7
CIX adjustable vent lengths.....	page	7
CIX variable vent lengths.....	page	7
CIX drain lengths.....	page	8
CIX horizontal drain lengths.....	page	8
CIX nozzle lengths.....	page	8
<b>Elbows</b> .....	<b>page</b>	<b>9</b>
CIX 3-degree elbows.....	page	9
CIX 15-degree elbows.....	page	9
CIX 30-degree elbows.....	page	10
CIX 45-degree elbows.....	page	10
CIX 90-degree offsets (using two 45-degree elbows).....	page	11
<b>Venting tees</b> .....	<b>page</b>	<b>11</b>
CIX 90-degree tees.....	page	11
CIX 45-degree tees.....	page	12
CIX 45-degree tee relief valve.....	page	12
CIX 45-degree tee Y.....	page	12
CIX 90-degree grease tees.....	page	13
CIX grease tee Y.....	page	13
CIX tee cap.....	page	14
CIX drain tee cap.....	page	14
<b>Venting accessories</b> .....	<b>page</b>	<b>14</b>
CIX locking band.....	page	14
CIX tapered Increaser.....	page	14
CIX step Increaser.....	page	15
CIX single wall adaptor.....	page	15
CIX flanged hood adaptor.....	page	16
CIX fan adaptor.....	page	16
CIX square to round adaptor.....	page	16
CT to CIX adaptor.....	page	16
CIX to CT adaptor.....	page	17
CIX anchor plate.....	page	17
CIX anchor plate ventilated.....	page	17
CIX wall support.....	page	17
CIX suspension band.....	page	18
CIX floor guide.....	page	18
CIX wall guide.....	page	18
CIX roof brace.....	page	19
CIX guy wire band.....	page	19
CIX firestop.....	page	19
CIX wall firestop.....	page	19
CIX flashing.....	page	20
CIX storm collar.....	page	20
CIX rain cap.....	page	20
CIX finishing cone.....	page	21
CIX flip top.....	page	21
CIX miter cut.....	page	21
CIX sealant.....	page	21
<b>Warranty</b> .....	<b>page</b>	<b>22</b>
<b>Product reference information</b> .....	<b>page</b>	<b>24</b>

## INTRODUCTION

Security™ Model CIX Chimney is a cylindrical, prefabricated, modular venting systems incorporating a unique extended inner flange designed for both quick assembly and pressure sealing capability. Model CIX incorporates 2” of mineral fiber insulation. The circular cross section and high quality stainless steel inner flue construction provide for a system with high strength-to-weight ratio and low friction losses.

## TESTING / LISTING INFORMATION

Security Chimney International, Ltd. model CIX venting system is listed with ITS (Intertek Testing Services) and the listing mark is Warnock Hersey and tested in accordance with the following standards:

- UL-103, Building Heating Appliance and 1400°F Type Chimney
- ULC-S604 Type A Chimney
- ULC/ORD-C959 540°C and 760°C Industrial Chimney
- UL-1978, UL Standard for Safety Grease Ducts

## GENERAL INFORMATION

**These instructions comprise both general guidelines and special requirements for all parts in the product line. Before specifying a design or beginning an installation please carefully review these instructions.**

### **Maintenance Notes:**

*Chimney Cleaning: This applies to cleaning other than standard natural gas chimney applications where minimal maintenance is necessary. Keep your chimney clean. Access should be provided for the inspection and cleaning of all sections of the chimney. Have your chimney cleaned by qualified chimney sweep. It is recommended to use a nylon chimney brush of the correct size. Do not use a brush that will scratch the stainless steel interior of the chimney.*

## APPLICATION

### **UL 1978 Grease Ducts Listing:**

Security™ model CIX chimney is tested in accordance with UL 1978 Standard and approved for Grease Duct applications when installed in accordance with these installation instructions and National Fire Protection Association standard “NFPA 96, Standard for Ventilation Control and Fire Protection of Commercial Cooking Operations”.

## SURROUNDINGS / ENCLOSURE

### Grease Ducts

1. Model CIX grease ducts are primarily intended for installation in noncombustible surroundings or in unenclosed installations.
2. Where model CIX grease ducts are installed in an open room and an enclosure is not required, the minimum clearance to adjacent combustible walls shall be as shown in this section (see "CLEARANCES"). The ducting may be located in a corner formed by two walls of combustible construction, if the conditions above are met.
3. Other interior installations in all buildings should be as follows:
  - a) Where a grease duct penetrates a wall or ceiling rated for fire resistance, it should be enclosed with a continuous non-combustible enclosure extending from the lowest fire-rated ceiling or floor above the hood, through any concealed space, to or through the roof so as to maintain the integrity of the fire separations required by the applicable building code provisions. The enclosure shall be sealed around the duct at the point of penetration of the lowest fire-rated ceiling or floor above the hood, in order to maintain the fire resistance rating of the enclosure and shall be extended to the exterior of the building through weather-protected openings.
  - b) A grease duct penetrating a ceiling, floor or wall which does not have a fire resistance rating does not require to be enclosed, if the clearances to combustibles are at the correct minimum for unenclosed installations.
  - c) Where model CIX grease ducts extend through any story of a building above the floor on which the connected appliances are located, they shall be enclosed in the upper stories with walls having a fire resistance rating of not less than one hour for buildings of two or three stories. If the building is four stories or more, the enclosure wall shall have a fire resistance rating of not less than two hours.
4. Combustible roofs or roof-ceiling assemblies may be penetrated as described in Section D – Roof and wall penetrations.

**NOTE: Do not enclose with combustible materials. Refer to NFPA 96, "Standard For Ventilation Control And Fire Protection Of Commercial Cooking Operations", for installation and clearances of fire-rated enclosures and definitions.**

Security™ model CIX chimney is primarily intended to be used in fire resistive noncombustible surroundings or installed unenclosed. They are not intended for use in one or two family residences. **(CAUTION: Do not enclose this chimney in a chase or passageway of ordinary wood or other combustible material).**

Where the chimney extends through any zone of a building (outside that in which the heating appliance connected to it is located), it shall be provided with an enclosure having a fire resistance rating equal to or greater than that of the floor, wall or roof assemblies through which it passes.

Security™ model CIX chimney may penetrate a combustible floor, wall or roof using the appropriate parts and openings sizes. See section D "Roof & Wall Penetration" for more details.

Where, according to local code, no chase enclosure is necessary, model CIX chimney may be placed adjacent to walls of combustible construction at the clearance specified on each chimney section and in the individual listing; see "CLEARANCES". Contact local building or fire officials about restrictions and installation inspection requirements in your area.

### SYSTEM SIZING

Complete system sizing and capacity information maybe obtained from the "Chimney, Gas Vent, and Fireplace Systems" chapter of the ASHRAE Handbook (go to [www.ashrae.org](http://www.ashrae.org) for more information). In spite of these general sizing guidelines, it is most important that the heating appliance, engine or turbine manufacturer's installation instructions are followed. Not following the equipment manufacturer's instructions may result in inadequate chimney performance and/or a violation of the equipment manufacturer's installation requirements.

### PART NUMBERS

These instructions identify major model CIX parts by name and part number.

#### Example:

CIX 36" length with inside diameter 14" made of ss316 inner flue and ss304 outer casing.

CIX 14 L36 BC  
Model Dia. Part Material

CIX 30° elbow with inside diameter 22" made of ss304 inner flue and galvalume outer casing.

CIX 22 E30 CE  
Model Dia. Part Material

CIX wall support for 8" diameter chimney made of galvalume.

CIX 8 WS E  
Model Dia. Part Material

**Use only factory-supplied components. Failure to do so will void the certification and the warranty of the chimney system.**

### CLEARANCES

**Minimum air space clearance to combustible construction to model CIX Chimney is 2".**

**For non-combustible construction, maintain clearances as required for installation, access for inspection or per local code.**

Inside diameter	B.H.A Chimney	1400°F Chimney	Grease Duct
Ø5" to Ø36"	1"	1"	2"

**Table 1 - Minimum air space clearance to combustible construction model CIX**

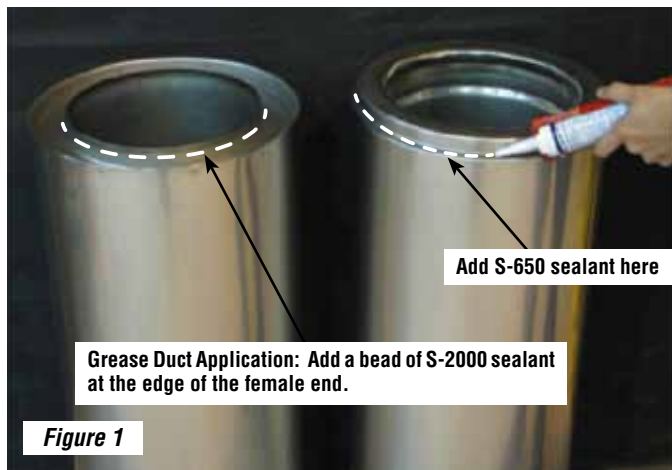
## CHIMNEY AND FITTING JOINT ASSEMBLY

All components have a male and female end. The installation orientation is indicated on the labeling of each chimney section with an arrow. The arrow indicates the direction of the flow. Clean all inner and outer surfaces of the male and female ends with an appropriate organic solvent, such as acetone, Mek, or other commercial degreaser.

1. Apply a bead of S-650 sealant about 1/8" thick around the male end of chimney and for Grease duct application, add a bead of S-2000 sealant at the edge of the female chimney (see *figure 1*). See *table 3* for approved sealants.
2. Insert the female end, of another section of chimney, over male end with sealant (see *figure 2*).
3. Insert the assembly band (see *figure 3*) around the joint of the two sections assembled in step 2. A small bead of S-650 can be applied on the inner groove of the band prior to installation for better leak tightness.
4. Using a phillips screwdriver, connect the two ends of the band as shown in *figure 4*.
5. Where the chimney is installed outside, an exterior sealant S-375 must be applied at the upper joint of the band and the outer casing, see *figure 4*.

SEALANT USAGE				
<b>Interior Installation</b>				
Sealant Application	Supplier	Model	Color	Max. Temp.
Joints	CSIL	S-650	red	650°F
Inner Flue	CSIL	S-2000	White	2000°F
<b>Exterior Installation</b>				
Sealant Application	Supplier	Model	Color	Max. Temp.
Joints	CSIL	S-650	red	650°F
Inner Flue	CSIL	S-2000	White	2000°F
Outer Band	CSIL	S-375	gray	375°F

*Table 2*



## CAUTIONS

- DO NOT ALLOW SCREWS TO PENETRATE THE INNER FLUE. THIS CAN CAUSE CORROSION, GAS LEAKAGE OR EXPANSION FAILURE.**
- NEVER USE SCREWS THROUGH THE OUTER CASING OF AN ADJUSTABLE LENGTH OR EXPANSION JOINT.**
- OBSERVE ADEQUATE SAFETY MEASURES WHEN USING A DEGREASER.**

## SUPPORT METHODS AND HEIGHT LIMITS

- Several support and guiding methods are used to anchor a chimney against upward, downward and angular displacement.
- These supports and guides used with thermal expansion devices, prevent bending stresses on the chimney elbows and joints.
- Supports and guiding methods and installation are described in Section C. Certain limitations apply for proper installation of supports and guides. See **table 3**.

MAXIMUM CHIMNEY HEIGHTS AND SUPPORT METHOD FOR MODEL CIX						
Inside Diameter (in)	Anchor Plate (AP)	Anchor Plate Ventilated (APV)		Wall Support (WS)		Tee (T)
	Building Metal Frame	Building Metal Frame	Building Wood Frame	Building Metal Frame	Building Wood Frame	
5	147	133	133	147	61	105
6	128	116	116	128	53	92
8	103	93	93	103	43	74
10	86	78	78	86	35	61
12	73	66	66	73	30	53
14	64	58	58	64	27	46
16	57	52	52	57	24	41
18	53	48	48	53	22	38
20	48	43	43	48	20	34
22	44	40	40	44	18	31
24	37	34	34	37	15	27
26	35	32	32	35	14	25
28	33	30	30	33	13	23
30	31	28	28	31	13	22
32	29	26	26	29	12	21
34	27	25	25	27	11	20
36	26	23	23	26	11	18

**Table 3 - Dimensions are in feet**

## THERMAL EXPANSION

Good installation practice requires that any length of exhaust system between two fixed points subject to more than 1/4 inch expansion must have an Adjustable Length (LA) or Bellows Joint (LB) to compensate for expansion. Model CIX will expand approximately 1 inch for every 100°F temperature rise per 100 feet of chimney. To accommodate chimney movements, any wall guide or floor guide must be located away from the locking band.

It is essential that these parts be properly installed and provided with adequate support and guidance to prevent binding or excessive bending forces. (See detailed installation information contained in the Installation Instructions Manual on **page 21**, *Thermal Expansion*).

## CHIMNEY WEIGHT

Chimney weight is given in pounds per foot of chimney for each diameter. It is important to know the weight of the chimney section for chimney support or guiding. Chimney weight (**table 4**) along with maximum chimney height (**table 3**) are necessary to calculate the proper anchor strength needed with wall supports (WS), Anchor Plate (AP) supports and Suspension Bands (SB).

CHIMNEY WEIGHT IN LB/FT	
Inside diameter	Model CIX
5	7
6	8
8	10
10	12
12	14
14	16
16	18
18	20
20	22
22	24
24	28
26	30
28	32
30	34
32	36
34	38
36	40

**Table 4**

## IMPORTANT NOTE:

If more than 1/4" of thermal expansion is expected between a stationary point and the tee, the use of an expansion length and a two axis support is recommended to minimize bending moments on the tee (see **table 5**).

Gas Temperature Rise	Maximum Length	Expansion
200°F	12'0"	0.25"
300°F	8'0"	0.25"
400°F	6'0"	0.25"
500°F	5'0"	0.25"
600°F	4'0"	0.25"
700°F	3'6"	0.25"
800°F	3'0"	0.25"
900°F	2'6"	0.25"
1000°F	2'0"	0.25"


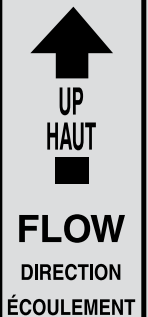

*Note: 60°F - 70°F ambient T°*



**Table 5 - Maximum allowable length between two fixed points without expansion length**

**CIX LABELS**

The labels supplied for product identification are shown here and indicates the flow of the flue gases in the venting system.

Install the components with the arrow towards the termination of the CIX venting system.

<p><b>LISTED</b>                  BUILDING HEATING APPLIANCE CHIMNEY                  INDUSTRIAL 1000°F OR LESS CHIMNEY                  INDUSTRIAL 1400°F OR LESS CHIMNEY                  GREASE DUCT                  Ø5" TO Ø36"</p> <p><b>UNDER STANDARDS</b>                  UL-103 / ULC-S604 / ORD-C959 / UL-1978                  FOR VENTING SOLID (US ONLY), LIQUID AND GAS-FIRED                  APPLIANCES</p>	 <b>Intertek</b> W/N 16430	<p><b>HOMOLOGUÉ</b>                  CHEMINÉE POUR APPAREIL DE CHAUFFAGE                  CHEMINÉE INDUSTRIELLE 540°C OU MOINS                  CHEMINÉE INDUSTRIELLE 760°C OU MOINS                  CONDUIT D'ÉVACUATION DE GRAISSE                  Ø5" À Ø36"</p> <p><b>SELON LES NORMES</b>                  UL-103 / ULC-S604 / ORD-C959 / UL-1978                  POUR ÉVACUER DES COMBUSTIBLES                  SOLIDES (É-U SEULEMENT), LIQUIDES ET GAZEUX</p>
<b>MODEL</b>	<b>CIX</b>	<b>MODÈLE</b>
<p><b>MINIMUM CLEARANCE (AIR SPACE) TO COMBUSTIBLE MATERIALS AND BUILDING INSULATION:</b>                  1" FOR B.H.A / 1000°F / 1400°F CHIMNEY                  2" FOR GREASE DUCT</p> <p>WHEN A CHIMNEY PASSES THROUGH A COMBUSTIBLE WALL, THE CHIMNEY SECURITY WALL FIRESTOP SHALL BE USED TO MAINTAIN A 2" CLEARANCES TO COMBUSTIBLE. CROSSING A COMBUSTIBLE WALL IS NOT PERMITTED FOR DIAMETERS LARGER THAN 10" INSIDE DIAMETER.</p> <p><b>CAUTION: DO NOT ENCLOSE WITH COMBUSTIBLE MATERIALS</b></p> <p>RATED FOR USED AT MAXIMUM 60 INCH WATER COLUMN INTERNAL PRESSURE WHEN USED IN POSITIVE PRESSURE APPLICATION</p> <p>FOR INSTALLATION AS REQUIRED FOR DOUBLE WALL METAL CHIMNEYS. ALWAYS FOLLOW INSTALLATION INSTRUCTIONS FROM SECURITY CHIMNEY INTERNATIONAL LTD.</p> <p>SUITABLE FOR EXTERIOR AND INTERIOR INSTALLATION</p>		<p><b>ESPACE (D'AIR) MINIMAL AUX MATIÈRES COMBUSTIBLES ET AUX ISOLANTS DE LA BÂTISSÉ:</b>                  1" POUR A.C.B / 540°C / 760°C CHEMINÉE                  2" POUR CONDUIT D'ÉVACUATION DE GRAISSE</p> <p>QUAND UNE CHEMINÉES TRAVERSE UN MUR FAIT DE MATÉRIAUX COMBUSTIBLES, LE COUPE-FEU MURAL DE CHEMINÉES SÉCURITÉ DOIT ÊTRE UTILISÉ POUR MAINTENIR UN ESPACE D'AIR DE 2" AUX MATÉRIAUX COMBUSTIBLES. IL N'EST PAS PERMIS DE TRAVERSER UN MUR COMBUSTIBLE POUR LES INSTALLATIONS DE PLUS DE 10" DIAMÈTRE INTERNE.</p> <p><b>ATTENTION: NE PAS ENFERMER DANS UNE ENCEINTE COMBUSTIBLE</b></p> <p>CLASSÉ POUR UNE UTILISATION À PRESSION POSITIVE INTERNE MAXIMALE DE 60 POUÇES DE COLONNE D'EAU</p> <p>POUR INSTALLATION TELLE QUE REQUISE POUR DES CHEMINÉES DOUBLE PAROIES MÉTALLIQUES. TOUJOURS SUIVRE LE MANUEL D'INSTALLATION FOURNI PAR CHEMINÉES SÉCURITÉ INTERNATIONAL LTÉE.</p> <p>UTILISABLE À L'EXTÉRIEUR ET À L'INTÉRIEUR</p>
<p><b>SECURITY CHIMNEYS INTERNATIONAL LTD</b></p>		<p><b>CHEMINÉES SÉCURITÉ INTERNATIONAL LTÉE</b></p>
		<p>LAVAL, QC                  CANADA                  NP303 REV. 2</p>

<b>CIX</b>	 <b>Intertek</b> W/N 16429	<b>CIX</b>
<b>ACCESSORIES</b>		<b>ACCESSOIRES</b>
<p><b>LISTED</b>                  BUILDING HEATING APPLIANCE CHIMNEY                  INDUSTRIAL 1000°F OR LESS CHIMNEY                  INDUSTRIAL 1400°F OR LESS CHIMNEY                  GREASE DUCT</p> <p><u>ALWAYS FOLLOW INSTALLATION INSTRUCTIONS FROM SECURITY CHIMNEY INTERNATIONAL LTD.</u></p> <p>SUITABLE FOR EXTERIOR AND INTERIOR INSTALLATION</p>		<p><b>HOMOLOGUÉ</b>                  CHEMINÉE POUR APPAREIL DE CHAUFFAGE                  CHEMINÉE INDUSTRIELLE 540°C OU MOINS                  CHEMINÉE INDUSTRIELLE 760°C OU MOINS                  CONDUIT D'ÉVACUATION DE GRAISSE</p> <p><u>TOUJOURS SUIVRE LE MANUEL D'INSTALLATION FOURNI PAR CHEMINÉES SÉCURITÉ INTERNATIONAL LTÉE.</u></p> <p>UTILISABLE À L'EXTÉRIEUR ET À L'INTÉRIEUR</p>
<p><b>SECURITY CHIMNEYS INTERNATIONAL LTD</b></p>		<p><b>CHEMINÉES SÉCURITÉ INTERNATIONAL LTÉE</b></p>
		<p>LAVAL, QC                  CANADA                  NP304 REV. 1</p>

## VENT LENGTHS

### Coding logic:

This document contains a description of each of the parts for the CIX Secure Stack™ system, as well as their respective application.

The following examples of our coding system should make it easier for you to identify or order them.

Material code definitions:

- B = Stainless 316
- C = Stainless 304
- E = Alu-Zinc coating (Galvalume)

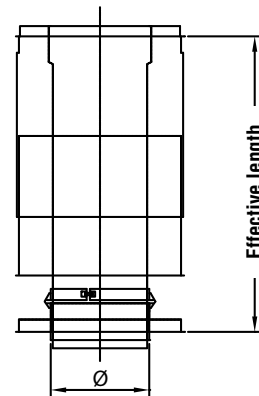


Example		
<b>CIX14L36BC</b>	<b>CIX22E30CE</b>	<b>CIX8WSF</b>
<b>CIX Model</b>	<b>CIX Model</b>	<b>CIX Model</b>
<b>14"</b> Inside Diameter	<b>22"</b> Inside Diameter	<b>8"</b> Diameter
<b>L36</b> 36" Length	<b>E30</b> 30° Elbow	<b>WS</b> Wall Support
<b>BC</b> Inner/Outer Material	<b>CE</b> Inner/Outer Material	<b>F</b> Inner/Outer

**Table 6**

CIX Adjustable Vent Lengths		
Ø (in.)	Effective Length (in.)	Product Code
5 to 36	8 to 24	CIXØLA
Used to adjust to fit odd dimensions and to compensate for thermal expansion. Not suitable for positive pressure applications. Locking band included. Graphite packing included. Flow resistance: K - 0.4 (eff. length [ft] / Ø [in]) K = 0.25 (eff. length [ft] / Ø [in]) Materials available: 304, 316, Galvalume		

Figure 6 - CIX Adjustable Vent Lengths

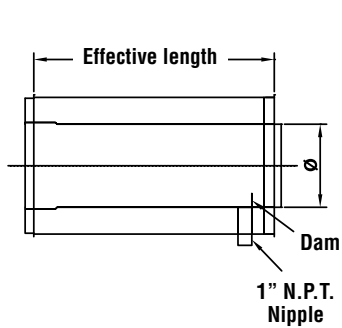


CIX Vent Lengths			
Ø (in.)	Length (in.)	Effective Length (in.)	Product Code
5 to 36	12	11-3/8	CIXØL12
5 to 36	18	17-3/8	CIXØL18
5 to 24	24	23-3/8	CIXØL24
5 to 36	36	35-3/8	CIXØL36
Locking band included. Flow resistance: K - 0.4 (eff. length [ft] / Ø [in]) K = 0.25 (eff. length [ft] / Ø [in]) For engine or turbine exhaust Materials available: 304, 316, Galvalume			

Figure 5 - CIX Vent Lengths

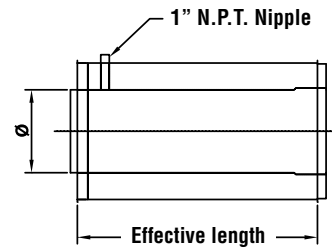
CIX Variable Vent Lengths		
Ø (in.)	Effective Length (in.)	Product Code
5 to 36	8 to 26	CIXØLV
Used to adjust to fit odd dimensions. Not used for thermal expansion. Can be used in positive pressure applications. Locking band included. Flow resistance: K - 0.4 (eff. length [ft] / Ø [in]) K = 0.25 (eff. length [ft] / Ø [in]) For engine or turbine exhaust Materials available: 304, 316, Galvalume		

Figure 7 - CIX Variable Lengths



CIX Horizontal Drain Length		
Ø (in.)	Effective Length (in.)	Product Code
5 to 36	17-3/8	CIXØHDL
Used as a horizontal drain in grease duct applications. Locking band included. Flow resistance: $K - 0.4$ (eff. length [ft] / Ø [in]) Materials available: 304, 316, Galvalume		

Figure 8 - CIX Horizontal Drain Length



CIX Nozzle Length		
Ø (in.)	Effective Length (in.)	Product Code
5 to 36	17-3/8	CIXØNL
Used to insert a fire-suppression or wash-down nozzle in grease duct applications. Locking band included. Flow resistance: $K - 0.4$ (eff. length [ft] / Ø [in]) Materials available: 304, 316, Galvalume		

Figure 9 - CIX Nozzle Length



## ELBOWS



Ø (in.)	Angle	Offset (in.)	Height (in.)	Product Code
5	3°	N/A	3-19/32	CIX5E3
6	3°	N/A	3-5/8	CIX6E3
8	3°	N/A	3-11/16	CIX8E3
10	3°	N/A	3-3/4	CIX10E3
12	3°	N/A	3-25/32	CIX12E3
14	3°	N/A	3-27/32	CIX14E3
16	3°	N/A	3-29/32	CIX16E3
18	3°	N/A	3-15/16	CIX18E3
20	3°	N/A	4	CIX20E3
22	3°	N/A	4-1/16	CIX22E3
24	3°	N/A	4-3/32	CIX24E3
26	3°	N/A	4-5/32	CIX26E3
28	3°	N/A	4-7/32	CIX28E3
30	3°	N/A	4-1/4	CIX30E3
32	3°	N/A	4-5/16	CIX32E3
34	3°	N/A	4-3/8	CIX34E3
36	3°	N/A	4-13/32	CIX36E3

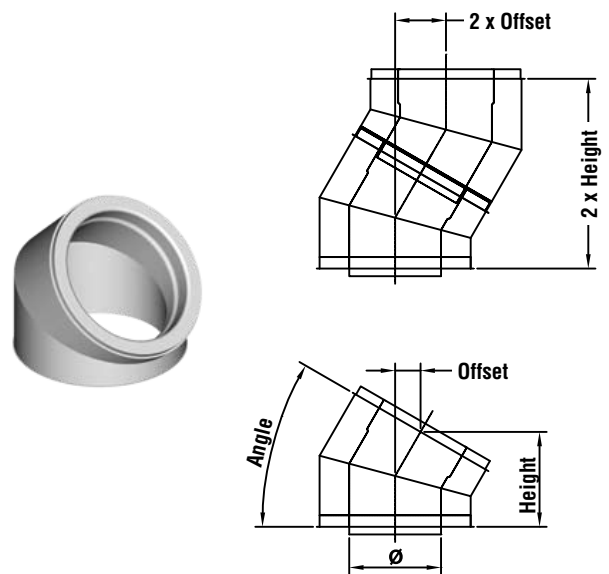
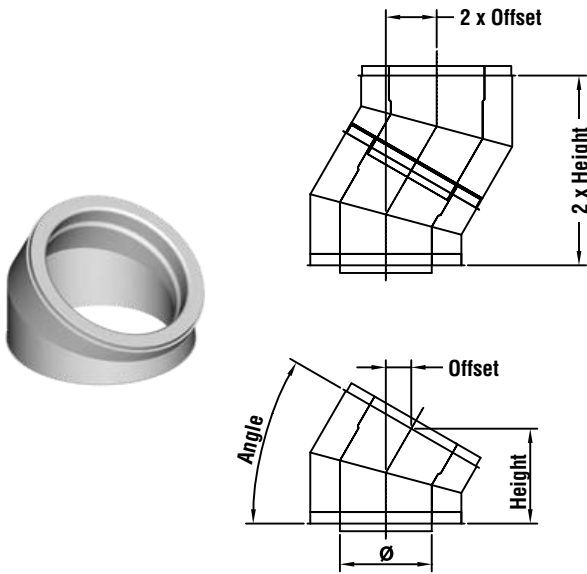
Flow resistance:  $K = 0.03$   
 Used to change direction of the stack or to provide offset.  
 3° Elbows provide a minimum slope for horizontal run.  
 Locking band included. 3° Elbows come in pairs.  
 Materials available: 304, 316, Galvalume

Figure 10 - CIX 3-Degree Elbows

Ø (in.)	Angle	Offset (in.)	Height (in.)	Product Code
5	15°	11/16	5-7/16	CIX5E15
6	15°	3/4	5-9/16	CIX6E15
8	15°	3/4	5-7/8	CIX8E15
10	15°	13/16	6-1/8	CIX10E15
12	15°	13/16	6-3/8	CIX12E15
14	15°	7/8	6-5/8	CIX14E15
16	15°	7/8	6-7/8	CIX16E15
18	15°	15/16	7-1/8	CIX18E15
20	15°	15/16	7-3/8	CIX20E15
22	15°	1	7-11/16	CIX22E15
24	15°	1	7-15/16	CIX24E15
26	15°	1-1/16	8-3/16	CIX26E15
28	15°	1-1/8	8-7/16	CIX28E15
30	15°	1-1/8	8-11/16	CIX30E15
32	15°	1-3/16	8-15/16	CIX32E15
34	15°	1-3/16	9-3/16	CIX34E15
36	15°	1-1/4	9-1/2	CIX36E15

Flow resistance:  $K = 0.06$   
 Materials available: 304, 316, Galvalume

Figure 11 - CIX 15-Degree Elbows

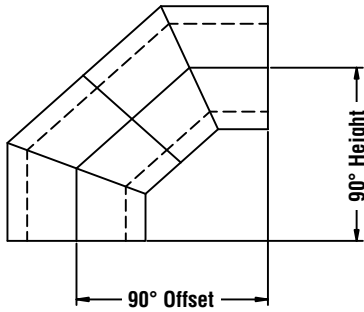


Ø (in.)	Angle	Offset (in.)	Height (in.)	Product Code
5	30°	1-11/16	6-5/16	CIX5E30
6	30°	1-3/4	6-9/16	CIX6E30
8	30°	1-7/8	7-1/16	CIX8E30
10	30°	2	7-9/16	CIX10E30
12	30°	2-1/8	8-1/16	CIX12E30
14	30°	2-1/4	8-9/16	CIX14E30
16	30°	2-3/8	9-1/16	CIX16E30
18	30°	2-9/16	9-9/16	CIX18E30
20	30°	2-11/16	10-1/16	CIX20E30
22	30°	2-13/16	10-9/16	CIX22E30
24	30°	2-15/16	11-1/16	CIX24E30
26	30°	3-1/16	11-9/16	CIX26E30
28	30°	3-3/16	12-1/16	CIX28E30
30	30°	3-5/16	12-9/16	CIX30E30
32	30°	3-1/2	13-1/16	CIX32E30
34	30°	3-5/8	13-9/16	CIX34E30
36	30°	3-3/4	14-1/16	CIX36E30
Flow resistance: K = 0.12 Materials available: 304, 316, Galvalume				

Ø (in.)	Angle	Offset (in.)	Height (in.)	Product Code
5	45°	2-13/16	6-15/16	CIX5E45
6	45°	2-15/16	7-1/4	CIX6E45
8	45°	3-1/4	8	CIX8E45
10	45°	3-9/16	8-11/16	CIX10E45
12	45°	3-13/16	9-3/8	CIX12E45
14	45°	4-1/8	10-1/8	CIX14E45
16	45°	4-7/16	10-13/16	CIX16E45
18	45°	4-11/16	11-1/2	CIX18E45
20	45°	5	12-13/16	CIX20E45
22	45°	5-5/16	12-15/16	CIX22E45
24	45°	5-5/8	13-5/8	CIX24E45
26	45°	5-7/8	14-5/16	CIX26E45
28	45°	6-3/16	15-1/16	CIX28E45
30	45°	6-1/2	15-3/4	CIX30E45
32	45°	6-3/4	16-7/16	CIX32E45
34	45°	7-1/16	17-3/16	CIX34E45
36	45°	7-3/8	17-7/8	CIX36E45
Flow resistance: K = 0.15 Materials available: 304, 316, Galvalume				

Figure 12 - CIX 30-Degree Elbows

Figure 13 - CIX 45-Degree Elbows

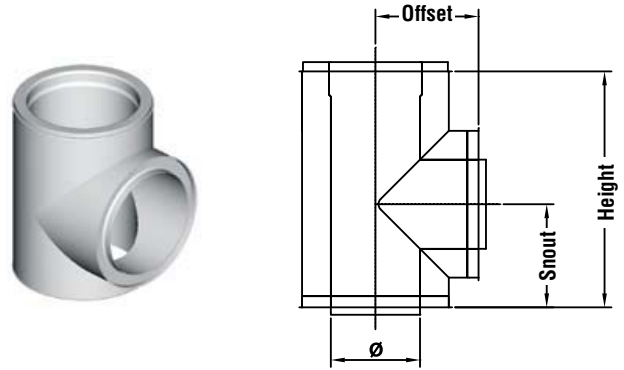


Ø (in.)	90° Offset (in.)	90° Height (in.)
5	9-23/32	9-27/32
6	10-5/32	10-5/16
8	11-7/32	11-11/32
10	12-7/32	12-5/16
12	13-1/8	13-5/16
14	14-3/16	14-3/8
16	15-7/32	15-5/16
18	16-1/8	16-5/16
20	17-19/32	18-11/32
22	18-7/32	18-11/32
24	19-1/4	19-9/32
26	20-5/32	20-9/32
28	21-7/32	21-11/32
30	22-7/32	22-9/32
32	23-5/32	23-9/32
34	24-7/32	24-11/32
36	25-7/32	25-5/16

Flow resistance:  $K = 0.3$   
 Materials available: 304, 316, Galvalume

Figure 14 - CIX 90 - Degree Offset (using two 45° elbows)

## INSPECTION VENTING TEES



Ø (in.)	Angle	Offset (in.)	Height (in.)	Snout (in.)	Product Code
5	90°	6-1/2	15	6-1/2	CIX5T90
6	90°	7	16	7	CIX6T90
8	90°	8	18	8	CIX8T90
10	90°	9	20	9	CIX10T90
12	90°	10	22	10	CIX12T90
14	90°	11	24	11	CIX14T90
16	90°	12	26	12	CIX16T90
18	90°	13	28	13	CIX18T90
20	90°	14	30	14	CIX20T90
22	90°	15	32	15	CIX22T90
24	90°	16	34	16	CIX24T90
26	90°	17	36	17	CIX26T90
28	90°	18	38	18	CIX28T90
30	90°	19	40	19	CIX30T90
32	90°	20	42	20	CIX32T90
34	90°	21	44	21	CIX34T90
36	90°	22	46	22	CIX36T90

Used to change direction at 90° breeching or inspection access.

Available with smaller snout Ø Code: CIXØT90BØ

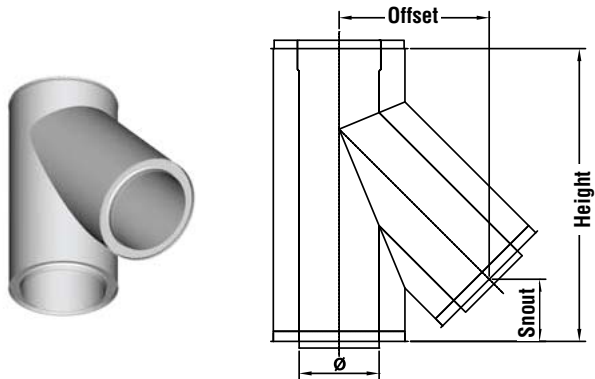
Locking band included.

Flow resistance:  $K = 1.25$

Materials available: 304, 316, Galvalume

Available with dam for grease duct application.

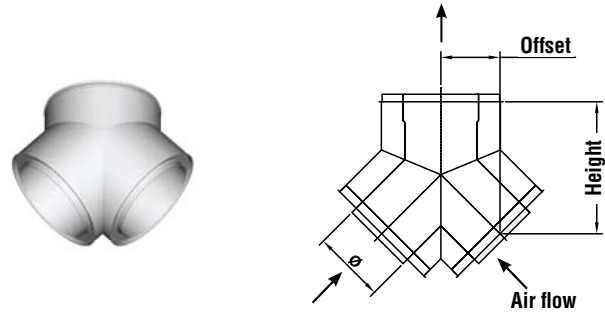
Figure 15 - CIX 90-Degree Tees



Ø (in.)	Angle	Offset (in.)	Height (in.)	Snout (in.)	Product Code
5	45°	10-7/16	20-5/8	4-5/16	CIX5T45
6	45°	11-5/16	22-1/16	4-11/16	CIX6T45
8	45°	13	24-7/8	5-3/8	CIX8T45
10	45°	14-3/4	27-11/16	6-1/8	CIX10T45
12	45°	16-7/16	30-9/16	6-13/16	CIX12T45
14	45°	18-1/8	33-3/8	7-1/2	CIX14T45
16	45°	19-7/8	36-3/16	8-1/4	CIX16T45
18	45°	21-9/16	39	8-15/16	CIX18T45
20	45°	23-1/4	41-7/8	9-5/8	CIX20T45
22	45°	24-15/16	44-11/16	10-5/16	CIX22T45
24	45°	26-11/16	47-1/2	11-1/16	CIX24T45
26	45°	28-3/8	50-5/16	11-3/4	CIX26T45
28	45°	30-1/16	53-3/16	12-7/16	CIX28T45
30	45°	31-13/16	56	13-3/16	CIX30T45
32	45°	33-1/2	58-13/16	13-7/8	CIX32T45
34	45°	35-3/16	61-5/8	14-9/16	CIX34T45
36	45°	36-15/16	64-1/2	15-5/16	CIX36T45

Used to change direction at 45° breeching or inspection access.  
 Available with smaller snout Ø Code: CIXØT45BØ  
 Available with double snout Code: CIXØTD45  
 Locking band included.  
 Flow resistance: K = 0.4  
 Materials available: 304, 316, Galvalume

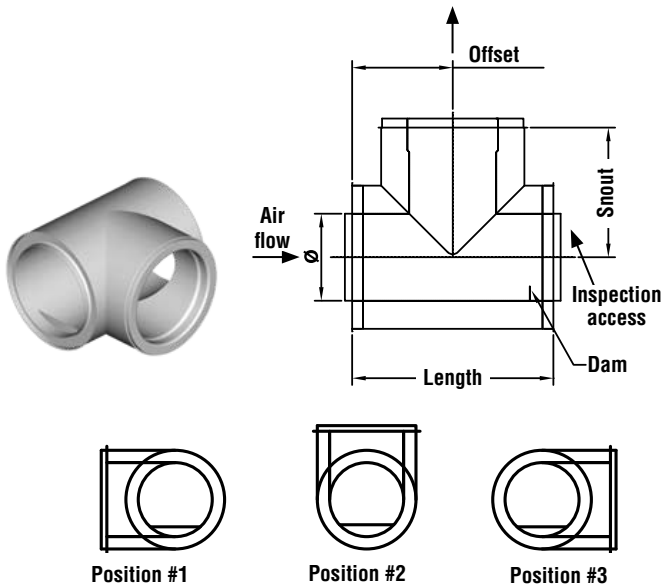
Figure 16 - CIX 45-Degree Tees



Ø (in.)	Offset (in.)	Height (in.)	Product Code
5	4-9/16	10-7/16	CIX5TY
6	4-15/16	11	CIX6TY
8	5-5/8	12-1/8	CIX8TY
10	6-5/16	13-1/4	CIX10TY
12	7-1/16	14-3/8	CIX12TY
14	7-3/4	15-1/2	CIX14TY
16	8-7/16	16-9/16	CIX16TY
18	9-3/16	17-11/16	CIX18TY
20	9-7/8	18-13/16	CIX20TY
22	10-9/16	19-15/16	CIX22TY
24	11-5/16	21-1/16	CIX24TY
26	12	22-3/16	CIX26TY
28	12-11/16	23-5/16	CIX28TY
30	13-7/16	24-7/16	CIX30TY
32	14-1/8	25-9/16	CIX32TY
34	14-13/16	26-11/16	CIX34TY
36	15-9/16	27-13/16	CIX36TY

Used to provide low-pressure drop for joining appliances.  
 Offers same diameter on all branches.  
 Available with smaller snout Ø Code: CIXØTYØ  
 Locking band included.  
 Flow resistance: K = 0.6  
 Materials available: 304, 316, Galvalume

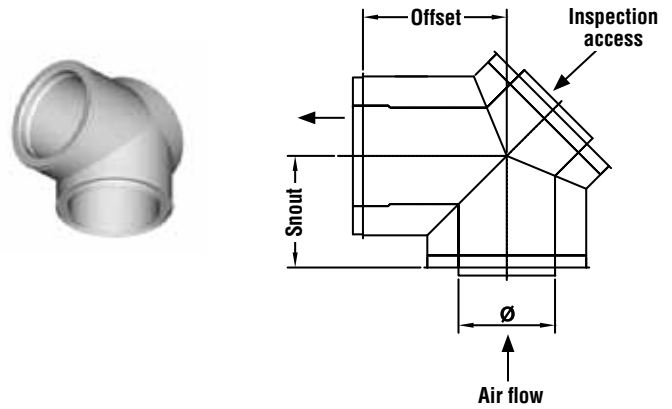
Figure 17 - CIX 45-Degree Tee Y



Ø (in.)	Offset (in.)	Length (in.)	Snout (in.)	Product Code
5	6-1/2	13	8-1/2	CIX5GT90P#
6	7	14	9	CIX6GT90P#
8	8	16	10	CIX8GT90P#
10	9	18	11	CIX10GT90P#
12	10	20	12	CIX12GT90P#
14	11	22	13	CIX14GT90P#
16	12	24	14	CIX16GT90P#
18	13	26	15	CIX18GT90P#
20	14	28	16	CIX20GT90P#
22	15	30	17	CIX22GT90P#
24	16	32	18	CIX24GT90P#
26	17	34	19	CIX26GT90P#
28	18	36	20	CIX28GT90P#
30	19	38	21	CIX30GT90P#
32	20	40	22	CIX32GT90P#
34	21	42	23	CIX34GT90P#
36	22	44	24	CIX36GT90P#

Dam can be ordered in position #1, 2 or 3.  
 Used in grease duct applications as a horizontal to vertical connection with an inspection or clean-out access.  
 Locking band included.  
 Flow resistance: K = 1.25  
 Materials available: 304, 316, Galvalume

Figure 18 - CIX 90-Degree Grease Tees

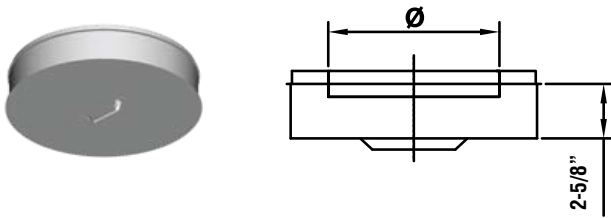


Ø (in.)	Offset (in.)	Height (in.)	Product Code
5	8-1/2	6-1/2	CIX5GTY
6	9	7	CIX6GTY
8	10	8	CIX8GTY
10	11	9	CIX10GTY
12	12	10	CIX12GTY
14	13	11	CIX14GTY
16	14	12	CIX16GTY
18	15	13	CIX18GTY
20	16	14	CIX20GTY
22	17	15	CIX22GTY
24	18	16	CIX24GTY
26	19	17	CIX26GTY
28	20	18	CIX28GTY
30	21	19	CIX30GTY
32	22	20	CIX32GTY
34	23	21	CIX34GTY
36	24	22	CIX36GTY

Used in grease duct applications as a vertical to horizontal connection with an inspection or clean-out access.  
 Locking band included.  
 Flow resistance: K = 1.25  
 Materials available: 304, 316, Galvalume

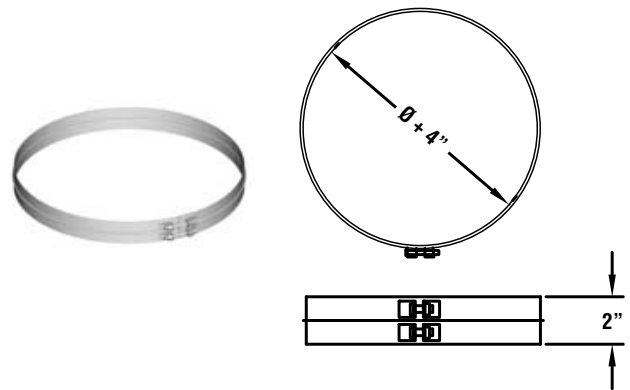
Figure 19 - CIX Grease Tee Y

## VENTING ACCESSORIES



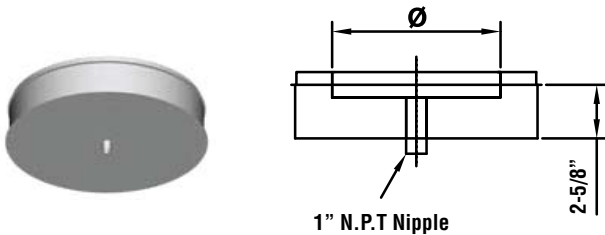
Ø (in.)	Product Code
5 to 36	CIXØTC
Used to close and seal unused tee ports. Locking band included. Materials available: 304, 316, Galvalume	

Figure 20 - CIX Tee Cap



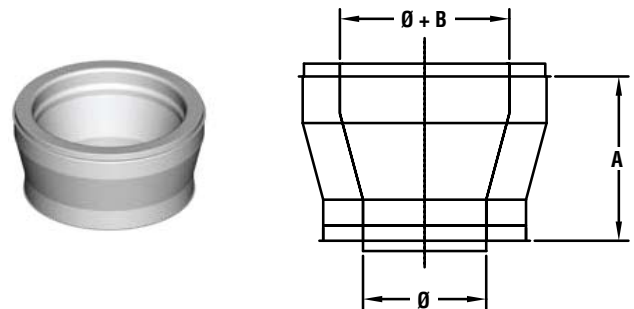
Ø (in.)	Product Code
5 to 36	CIXØBSC
Used to clamp and seal parts together (included with all vent components). To be sealed with outer joint sealant (not included). Materials available: 304	

Figure 22 - CIX Locking Band



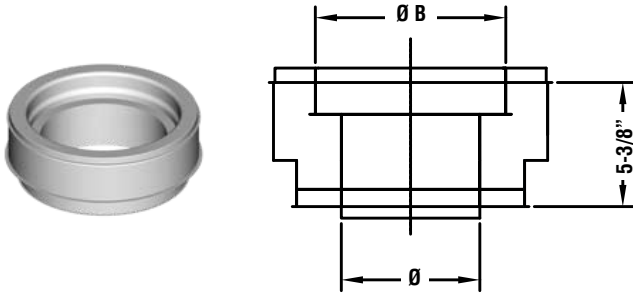
Ø (in.)	Product Code
5 to 36	CIXØDTC
Used to close and seal unused tee ports and to provide drain point for rain or condensation. Locking band included. Materials available: 304, 316, Galvalume	

Figure 21 - CIX Drain Tee Cap



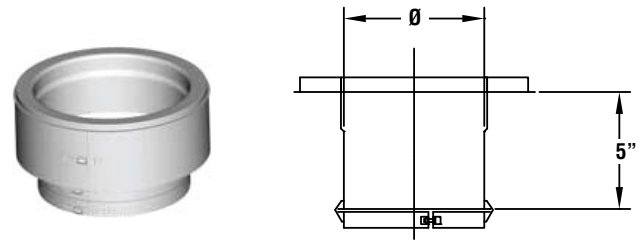
Step	A (in.)	Product Code
One Ø Increase	8	CIXØTINS1
Two Ø Increase	12	CIXØTINS2
Three Ø Increase	16	CIXØTINS3
Ø = 5" to 36" B = 2" (S1), 4" (S2) or 6" (S3) Used when a pipe diameter change is required. Considered as a structural part. Locking band included. Flow resistance: $K = 0.51 [1 - (\frac{\delta}{\delta+B})^2]^2 / (\frac{\delta}{\delta+B})^4$ Materials available: 304, 316, Galvalume		

Figure 23 - CIX Tapered Increaser



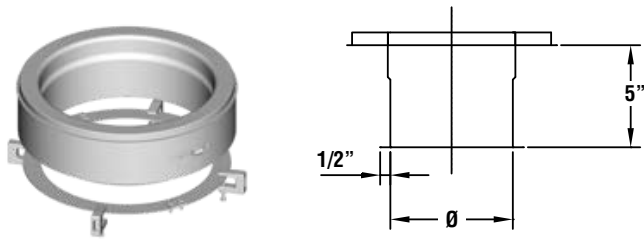
Ø (in.)	ØB (in.)	Product Code
5 to 32	8 to 36	CIXØIN(ØB)
<p>Used when a pipe diameter change is required in a small space.            Not considered as a structural part.            More restrictive than the tapered increaser.            Locking band included.            Flow resistance: <math>K = [1 - (\frac{\delta}{\delta+B})^2]^2 / (\frac{\delta}{\delta+B})^4</math>            Materials available: 304, 316, Galvalume</p>		

Figure 24 - CIX Step Increaser



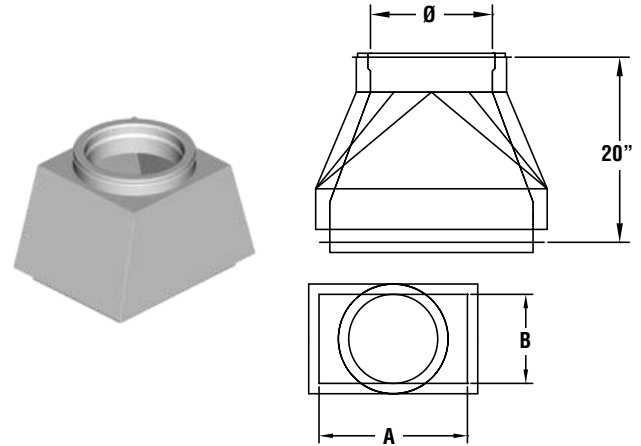
Ø (in.)	Product Code
5 to 32	CIXØSWA
<p>Used as a non-welded attachment for appliances having an unflanged outlet.            Locking band included.            Outer band with insulation included.            Flow resistance: <math>K = 0.4</math> (eff. length [ft] / Ø [in])  <math>K = 0.25</math> (eff. length [ft] / Ø [in])            For engine or turbine exhaust            Materials available: 304, 316, Galvalume</p>	

Figure 25 - CIX Single Wall Adaptor



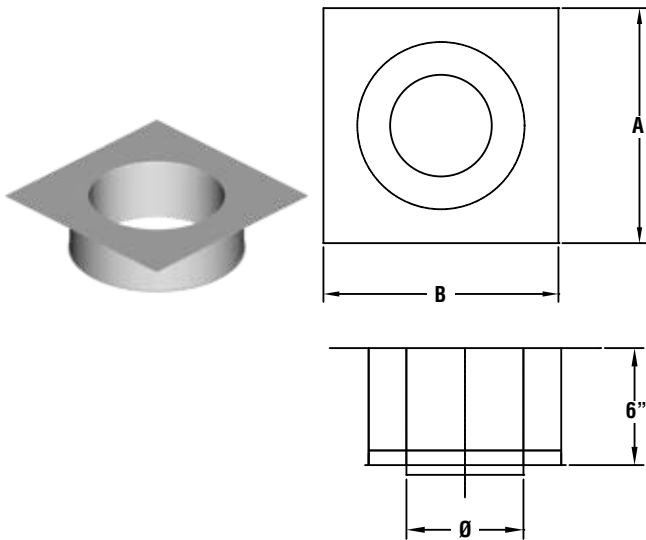
Ø (in.)	Product Code
5 to 36	CIXØFHA
Used on standard appliances such as kitchen hood exhausts. Flanged at the end. Locking band included. Outer band with insulation included. Flow resistance: $K = 0.4$ (eff. length [ft] / Ø [in]) Materials available: 304, 316, Galvalume	

Figure 26 - CIX Flanged Hood Adaptor



Ø (in.)	A	B	Product Code
5 to 36	Customizable	Customizable	CIXØSTR(AB)
Locking band included. Not listed. Made to order. Materials available: 304, 316, Galvalume Allows connection to kitchen hood.			

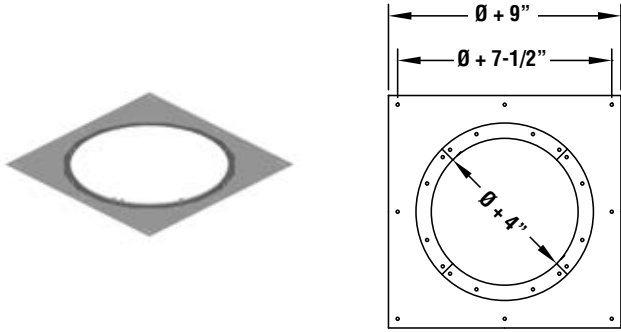
Figure 28 - CIX Square to Round Adaptor



Ø (in.)	A	B	Product Code
5 to 36	Custom	Custom	CIXØFAN(AB)
Used for connection to an "up-blast" kitchen fan. Materials available: 304, 316, Galvalume			

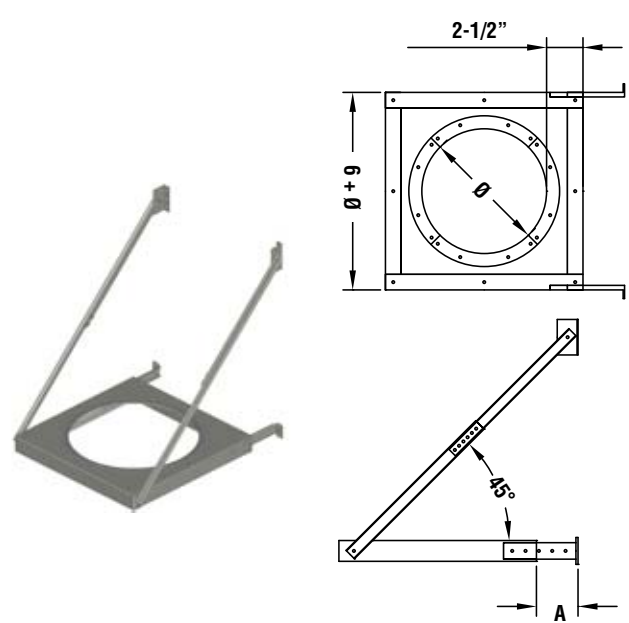
Figure 27 - CIX Fan Adaptor





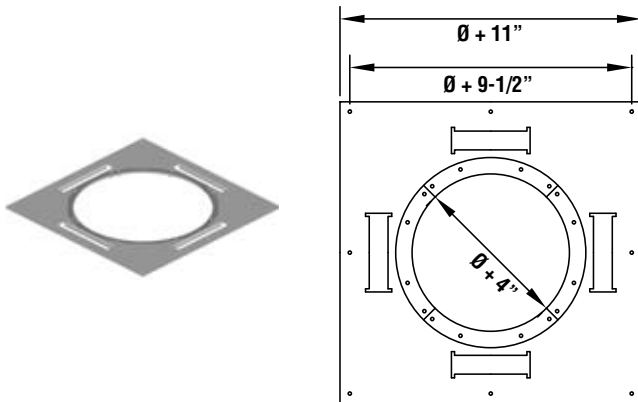
Ø (in.)	Product Code
5 to 36	CIXØAPF
<p>Used for supporting the stack in vertical or horizontal runs and to provide a fixed point for thermal expansion consideration. Maintains a minimum of 1" clearance to the opening. All hardware included except connection to structure. Materials available: galvanized. Must not be in contact with combustible materials.</p>	

Figure 29 - CIX Anchor Plate



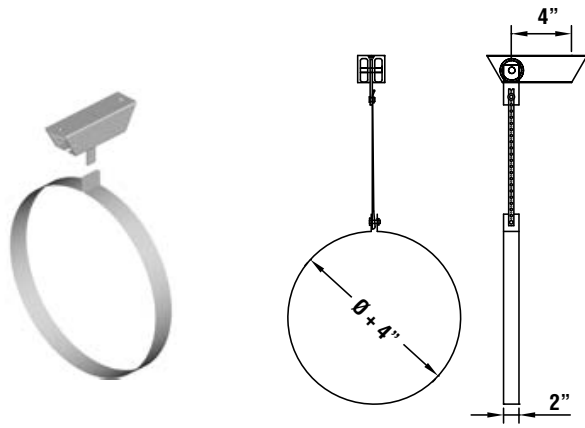
Ø (in.)	A (in.)	Product Code
5 to 36	0 to 5	CIXØWSF
<p>Used for supporting the stack in vertical runs in contact with combustible materials and to provide a fixed point for thermal expansion consideration. Maintains a minimum of 2-1/2" clearance to the wall and up to 7-1/2" when wall brace is extended. All hardware included except connection at wall. Materials available: galvanized.</p>		

Figure 31 - CIX Wall Support



Ø (in.)	Product Code
5 to 36	CIXØAPVF
<p>Used for supporting the stack in vertical runs in contact with combustible materials and to provide a fixed point for thermal expansion consideration. Maintains a minimum of 2" clearance to the opening. All hardware included except connection to structure. Materials available: galvanized.</p>	

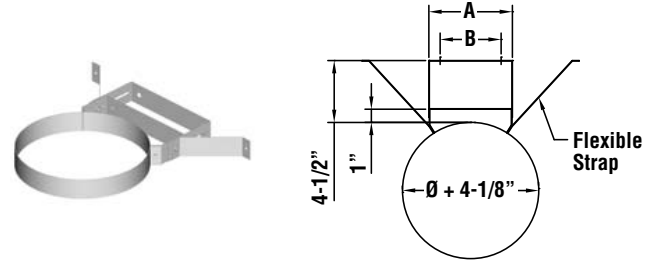
Figure 30 - CIX Anchor Plate Ventilated



Ø (in.)	Product Code
5 to 36	CIXØSBE

Used for supporting and guiding the stack in horizontal runs. Allows 4" of travel for thermal expansion. Rail, trolley and band included. Flexible support strap (not included) is used to join the band and the trolley—see instruction manual for required specifications. All hardware included except connection to structure. Materials available: Galvalume

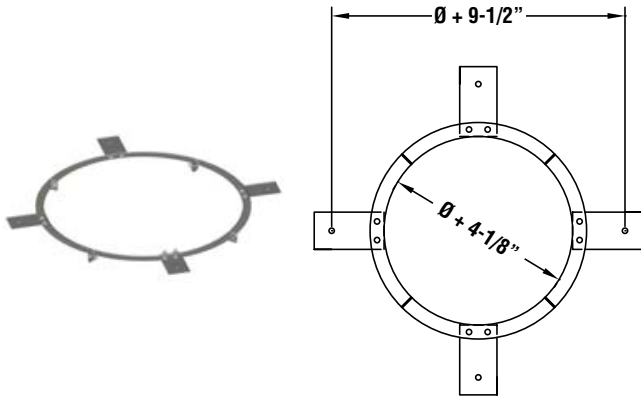
Figure 32 - CIX Suspension Band



Ø (in.)	A (in.)	B (in.)	Product Code
5	7-7/8	6-1/8	CIX5WGE
6	8-9/16	6-13/16	CIX6WGE
8	10	8-1/4	CIX8WGE
10	11-13/32	9-21/32	CIX10WGE
12	12-13/16	11-1/16	CIX12WGE
14	14-7/32	12-15/32	CIX14WGE
16	15-21/32	13-29/32	CIX16WGE
18	17-1/16	15-5/16	CIX18WGE
20	18-15/32	16-23/32	CIX20WGE
22	19-7/8	18-1/8	CIX22WGE
24	21-5/16	19-9/16	CIX24WGE
26	22-23/32	20-31/32	CIX26WGE
28	24-1/8	22-3/8	CIX28WGE
30	25-17/32	23-25/32	CIX30WGE
32	26-31/32	25-7/32	CIX32WGE
34	28-3/8	26-5/8	CIX34WGE
36	29-25/32	28-1/32	CIX36WGE

Used for guiding vertical installation attached to the wall. Maintains a minimum of 1" clearance to the wall. Extension for clearance of 4-1/2" is included. All hardware included except connection to structure. Flexible strap (not included) can be used to add rigidity when using extension—see instruction manual for required specifications. Materials available: Galvalume

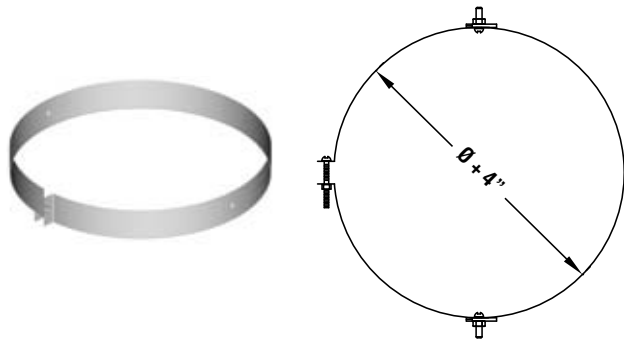
Figure 34 - CIX Wall Guide



Ø (in.)	Product Code
5 to 36	CIXØFGF

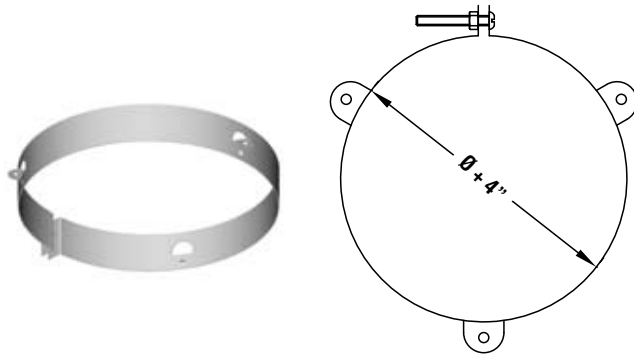
Used for guiding in vertical installation when passing through a floor or roof. Maintains a minimum of 2" clearance to the opening. All hardware included except connection to structure. Materials available: galvanized

Figure 33 - CIX Floor Guide



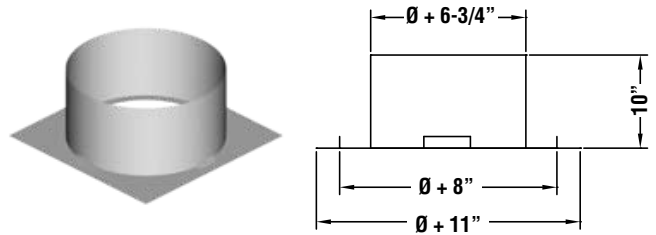
Ø (in.)	Product Code
5 to 36	CIXØRBE
Used for bracing in vertical installation above the roof. All hardware included except brace and connection to roof. Brace not included—see instruction manual for required specifications. Materials available: Galvalume	

Figure 35 - CIX Roof Brace



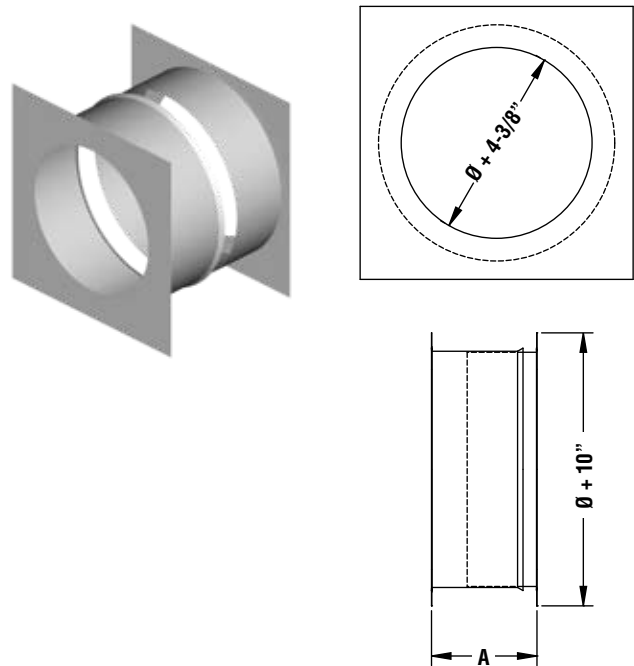
Ø (in.)	Product Code
5 to 36	CIXØGWE
Used for guiding in vertical installation above the roof. All hardware included except wire, tensioner and connection to roof. See instruction manual for required specifications. Materials available: Galvalume	

Figure 36 - CIX Guy Wire Band



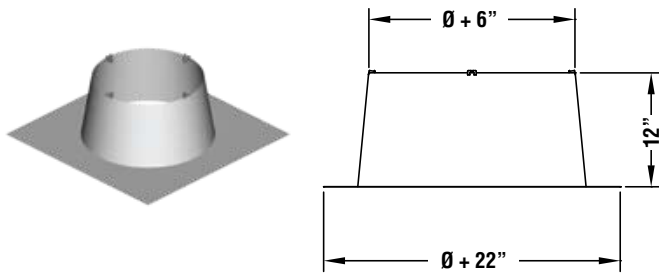
Ø (in.)	Product Code
5 to 36	CIXØFSE
Used where chimney passes through a combustible roof or structure. Maintains a minimum of 2\"/>	

Figure 37 - CIX Firestop



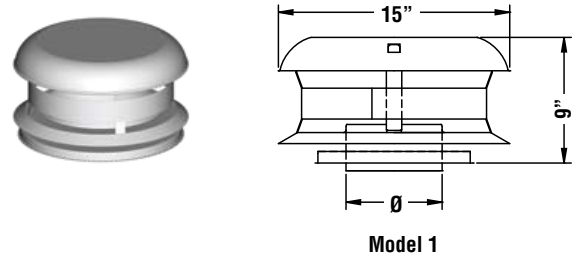
Ø (in.)	Product Code
5 to 36	CIXØFSWE
Used where chimney passes through a combustible wall. Maintains a minimum of 2\"/>	

Figure 38 - CIX Wall Firestop

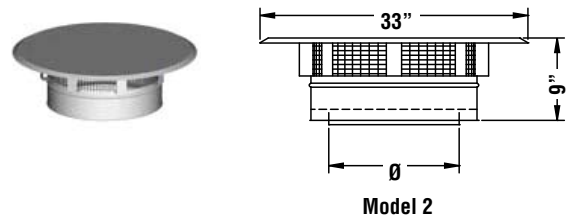


Ø (in.)	Product Code
5 to 36	CIXØFE
Used in conjunction with storm collar for weatherization at the roof. Storm collar included. Materials available: Galvalume, 304	

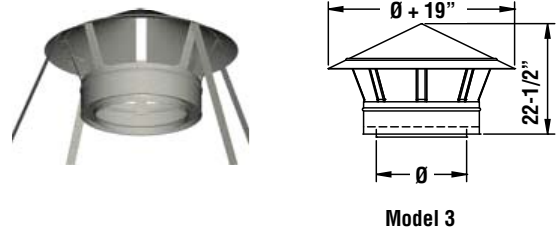
Figure 39 - CIX Flashing



Model 1



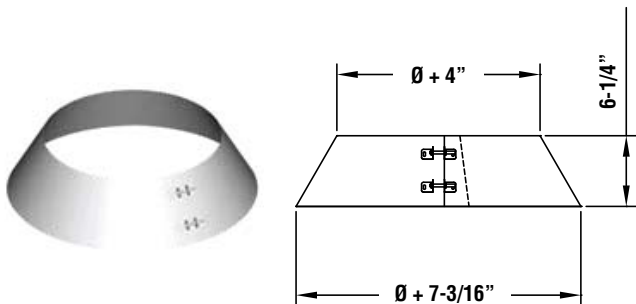
Model 2



Model 3

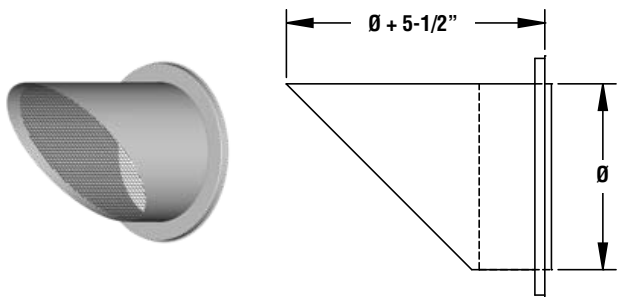
Ø (in.)	Model	Product Code
5 to 10	1	CIXØRCC
12 to 18	2	CIXØRCC
20 to 36	3	CIXØRCC
Used to provide the greatest degree of rain protection. Model 2 is available with a bird screen, code CIXØRCBC. Materials available: 304		

Figure 41 - CIX Rain Cap



Ø (in.)	Product Code
5 to 36	CIXØSCE
Used above the flashing for complete weatherization above the roof. To be sealed with outer joint sealant (not included). Materials available: Galvalume, 304	

Figure 40 - CIX Storm Collar



Ø (in.)	Product Code
5 to 24	CIXØFTC
Used for horizontal engine exhaust application. Used for side wall venting of appliances requiring a Grease Duct. Materials available: 304	

Figure 42 - CIX Miter Cut



Location	Max. Temp. °F	Color	Product Code
Inner Joint	650	Red	S-650
Outer Joint	375	Gray	S-375
Inner Wall	2000	White	S-2000
Red sealant is used in combination with the locking band. Gray sealant is used to protect from rain entering the system when chimney runs outside of the building and is subject to rain. White sealant is used in combination with the seal band and also for grease duct applications.			

Sealant Coverage	
Ø	Number of Joints
5	13
6	11
8	9
10	8
12	7
14	6
16-18	5
20-26	4
28-36	3

Figure 43 - CIX Sealant

**SECURITY CHIMNEYS INTERNATIONAL LTD.  
SECURE STACK™ – CIX  
INDUSTRIAL AND COMMERCIAL CHIMNEY AND VENTING PRODUCTS  
1-YEAR STANDARD & 15-YEAR LIMITED WARRANTY**

**THE WARRANTY**

This Security Chimneys International Ltd. (SCIL) 1-Year Standard and 15-year Limited Warranty warrants your Secure Stack™ – CIX stainless steel multi-fuel double-wall chimney system (Product) to be free from defects in material and workmanship at the time of manufacture. This 1-Year Standard and 15-year Limited Warranty includes all components and fittings. After installation, if covered components manufactured by SCIL are found to be defective in materials or workmanship during the 1-Year Standard and 15-year Warranty period and while the Product remains at the site of the original installation, SCIL will, replace the covered components. SCIL reserves the right to replace covered components with an equivalent product and the replacement must be carried out in accordance with SCIL recommendations. If replacement is not commercially practical, SCIL will, at its option, refund the purchase price or wholesale price of the SCIL Product, whichever is applicable. Labor or freight costs to remove or replace SCIL components is not included. THERE ARE EXCLUSIONS AND LIMITATIONS to the 1-Year Standard and 15-year Limited Warranty as described herein. SCIL Grease Duct applications are covered separately (see Secure Stack – CIX Grease Duct Applications Warranty) and are not included under this warranty.

**COVERAGE COMMENCEMENT DATE**

Warranty coverage begins on the date of shipment from SCIL.

**EXCLUSIONS AND LIMITATIONS**

This 1-Year Standard and 15-year Limited Warranty applies only if the Product is installed in the United States or Canada and only if used for the application for which it was designed and intended. The Product must be installed and maintained in accordance with the system design, installation and maintenance instructions for the Product and in compliance with all applicable installation and building codes and high quality, industry accepted trade practices. Any repaired or replaced product shall be warranted for the duration of time no longer than the remaining or unexpired term of the original warranty.

**The 1-Year Standard Warranty** is extended to the purchaser subject to the following conditions:

- Generally accepted engineering practices have been followed to determine that sizing and material specifications are suitable for the application and environment involved;
- The components have been correctly installed in accordance with the system design and installation instructions for the Product as provided by SCIL;
- Damage is not a result of burning garbage, waste oil, #6 oil or any other inappropriate or prohibited material in the appliance served by the venting system.

**The Extended 15-Year Limited Warranty** is extended to the purchaser subject to the following additional conditions:

- The design parameters provided to SCIL by the responsible engineer at the time of design were and are accurately representative of the operating conditions;
- The system sizing and design was performed or approved by SCIL ;
- The boiler or engine exhaust is and has operated free of solvent or refrigerant vapors or any halogenated compound which may cause acid condensates to form within the chimney system;
- The entire chimney or exhaust system was supplied by SCIL;
- Exposed galvalume and galvanized surfaces are protected with a minimum of one base coat of primer and one finish coat of heat resistant and corrosive resistant paint at all times. Stainless steel surfaces do not require painting.

This warranty is non-transferable and extends to the original owner only. The Product must be purchased through an SCIL Agent/Representative and proof of purchase must be provided.

SCIL will not be responsible for: (a) damages caused by normal wear and tear, corrosion from salt air, accident, riot, fire, flood or acts of God; (b) damages caused by abuse, negligence, misuse, or unauthorized alteration or repair of the Product affecting its stability or performance. (c) damages caused by failing to provide proper maintenance and service in accordance with the design, installation and maintenance instructions for the Product; (d) damages, repairs or inefficiency resulting from faulty installation or application of the Product.

This 1-Year Standard and 15-year Limited Warranty covers only parts as provided herein. SCIL's entire liability is limited to the purchase price of this Product. In no case shall SCIL be responsible for materials, components or construction which are not manufactured or supplied by SCIL or for the labor necessary to install, repair or remove such materials, components or construction. All replacement or repair components will be shipped F.O.B. from the SCIL manufacturing facility.

**LIMITATION ON LIABILITY**

It is expressly agreed and understood that the sole obligation of SCIL and the purchaser's exclusive remedy under this warranty, under any other warranty, expressed or implied, or in contract, tort or otherwise, shall be limited to replacement, repair, or refund, as specified herein.

In no event shall SCIL be liable for any incidental or consequential damages caused by defects in the Product, whether such damage occurs or is discovered before or after replacement or repair, and whether such damage is caused by SCIL negligence.

SCIL makes no expressed warranties except as stated in this 1-Year Standard and 15-year Limited Warranty. The duration of any implied warranty is limited to the duration of this expressed warranty.

No one is authorized to change this 1-Year Standard and 15-year Limited Warranty or to create for SCIL any other obligation or liability in connection with the Product. Some states and provinces do not allow the exclusion or limitation of incidental or consequential damages, so the above limitations or exclusions may not apply to you. The provisions of this 1-Year Standard and 15-year Limited Warranty are in addition to and not a modification of or subtraction from any statutory warranties and other rights and remedies provided by law.

**INVESTIGATION OF CLAIMS AGAINST WARRANTY**

SCIL reserves the right to investigate any and all claims against this 1-Year Standard and 15-year Limited Warranty and to decide, in its sole discretion, upon the method of settlement.

**SCIL shall in no event be responsible for any warranty work done by a contractor that is not approved without first obtaining SCIL's prior written consent.**

**HOW TO REGISTER A CLAIM AGAINST WARRANTY**

In order for any claim under this warranty to be valid, you must contact the SCIL Agent/Representative from which you purchased the Product. If you cannot contact the Agent/Representative, then you must notify SCIL in writing. SCIL must be notified of the claimed defect in writing within 90 days of the date of failure. Notices should be directed to the SCIL Warranty Department.

**SECURITY CHIMNEYS INTERNATIONAL LTD.  
SECURE STACK™ – CIX GREASE DUCT APPLICATION  
INDUSTRIAL AND COMMERCIAL CHIMNEY AND VENTING PRODUCTS  
LIMITED LIFETIME WARRANTY**

**THE WARRANTY**

This Security Chimneys International Ltd. (SCIL) Limited Lifetime Warranty warrants your Secure Stack™ – CIX stainless steel multi-fuel double-wall insulated chimney system (Product) in a grease duct application to be free from defects in material and workmanship at the time of manufacture when properly connected to and included as a part of a code compliant commercial kitchen ventilation system for cooking appliances. This Limited Lifetime Warranty includes all components and fittings. After installation, if covered components manufactured by SCIL are found to be defective in materials or workmanship during the Limited Lifetime Warranty period and while the Product remains at the site of the original installation, SCIL will, replace the covered components. SCIL reserves the right to replace covered components with an equivalent product and the replacement must be carried out in accordance with SCIL recommendations. If replacement is not commercially practical, SCIL will, at its option, refund the purchase price or wholesale price of the SCIL Product, whichever is applicable. Labor or freight costs to remove or replace SCIL components is not included. THERE ARE EXCLUSIONS AND LIMITATIONS to the Limited Lifetime Warranty as described herein.

**COVERAGE COMMENCEMENT DATE**

Warranty coverage begins on the date of shipment from SCIL.

**EXCLUSIONS AND LIMITATIONS**

This Limited Lifetime Warranty applies only if the Product is installed in the United States or Canada and only if used for the application for which it was designed and intended. The Product must be installed and maintained in accordance with the design, installation and maintenance instructions for the Product and in compliance with all applicable installation and building codes and high quality, industry accepted trade practices.

This warranty is non-transferable and extends to the original owner only. The Product must be purchased through an SCIL Agent/Representative and proof of purchase must be provided.

**Components and fittings (excludes labor) –**

Year 1-10 – Replacement of all components and fittings.

Year 11-15 – Replacement at 75% off of the prevailing list price in effect at the time of replacement (25% of the retail list price paid by the consumer).

Year 16 + – Replacement at 50% off of the prevailing list price in effect at the time of replacement (50% of the retail list price paid by the consumer).

SCIL will not be responsible for: (a) damages caused by normal wear and tear, corrosion from salt air, accident, riot, fire, flood, high wind or acts of God; (b) damages caused by abuse, negligence, misuse, or unauthorized alteration or repair of the Product affecting its stability or performance. (c) damage resulting from failure to reasonably clean, care for or maintain products in accordance with the printed design, installation and maintenance instructions for the Product; (d) damages caused by failing to provide proper maintenance and service in accordance with the design, installation and maintenance instructions for the Product, including damage to the finish of the Product caused by the use of improper solvents/chemicals or improper cleaning methods; (e) damages, repairs or inefficiency resulting from faulty installation or application of the Product; (e) replacement of system sealants as a result of improper installation or a system grease fire.

This Limited Lifetime Warranty covers only parts as provided herein. SCIL's entire liability is limited to the purchase price of this Product. In no case shall SCIL be responsible for materials, components or construction which are not manufactured or supplied by SCIL or for the labor necessary to install, repair or remove such materials, components or construction. All replacement or repair components will be shipped F.O.B. from the SCIL manufacturing facility.

**LIMITATION ON LIABILITY**

It is expressly agreed and understood that the sole obligation of SCIL and the purchaser's exclusive remedy under this warranty, under any other warranty, expressed or implied, or in contract, tort or otherwise, shall be limited to replacement, repair, or refund, as specified herein.

In no event shall SCIL be liable for any incidental or consequential damages caused by defects in the Product, whether such damage occurs or is discovered before or after replacement or repair, and whether such damage is caused by SCIL negligence.

SCIL makes no expressed warranties except as stated in this Limited Lifetime Warranty. The duration of any implied warranty is limited to the duration of this expressed warranty.

No one is authorized to change this Limited Lifetime Warranty or to create for SCIL any other obligation or liability in connection with the Product. Some states and provinces do not allow the exclusion or limitation of incidental or consequential damages, so the above limitations or exclusions may not apply to you. The provisions of this Limited Lifetime Warranty are in addition to and not a modification of or subtraction from any statutory warranties and other rights and remedies provided by law.

**INVESTIGATION OF CLAIMS AGAINST WARRANTY**

SCIL reserves the right to investigate any and all claims against this Limited Lifetime Warranty and to decide, in its sole discretion, upon the method of settlement.

**SCIL shall in no event be responsible for any warranty work done by a contractor that is not approved without first obtaining SCIL's prior written consent.**

**HOW TO REGISTER A CLAIM AGAINST WARRANTY**

In order for any claim under this warranty to be valid, you must contact the SCIL Agent/Representative from which you purchased the Product. If you cannot contact the Agent/Representative, then you must notify SCIL in writing. SCIL must be notified of the claimed defect in writing within 90 days of the date of failure. Notices should be directed to the SCIL Warranty Department.

**NOTES**



## WARRANTY

These products have a limited warranty. Please read the warranty to be familiar with its coverage.

Retain this document. File it with your other documents for future reference.

## PRODUCT REFERENCE INFORMATION

Please contact Security Chimneys International for the phone number of your nearest Security Chimneys International dealer who will answer your questions or address your concerns.

Normally, all parts should be ordered through your Security Chimneys International distributor or dealer. Parts will be shipped at prevailing prices at time of order.

When ordering repair parts, always give the following information:

1. The model number of the chimney system.
2. The part number.
3. The description of the part.
4. The quantity required.
5. The installation date of the chimney system.

If you encounter any problems or have any questions concerning the installation or application of this system, please contact your dealer.

